

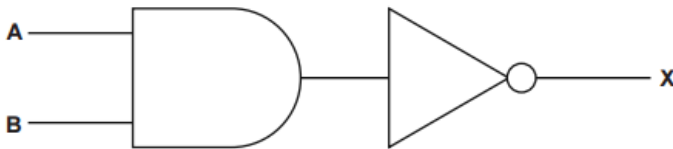


### 3.3.1 Logic Gates and Circuit Design

#### Computer Science (9608)

May/June 2015.P31/P32

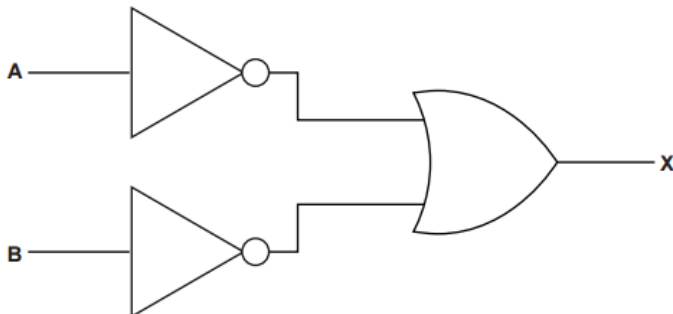
4 (a) (i) Complete the truth table for this logic circuit:



A	B	Working space	X
0	0		
0	1		
1	0		
1	1		

[1]

(ii) Complete the truth table for this logic circuit:



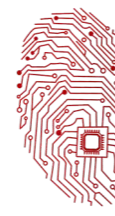
A	B	Working space	X
0	0		
0	1		
1	0		
1	1		

[1]

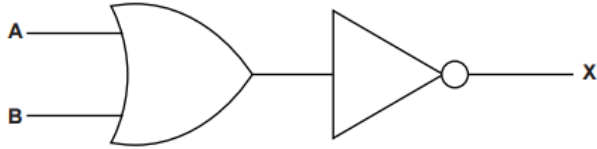
May/June 2015.P33

5 (a) (i) Complete the truth table for this logic circuit:





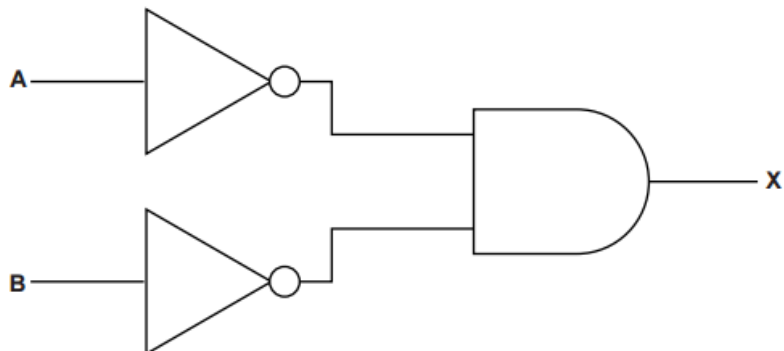
### 3.3.1 Logic Gates and Circuit Design



A	B	Working space	X
0	0		
0	1		
1	0		
1	1		

[1]

(ii) Complete the truth table for this logic circuit:



A	B	Working space	X
0	0		
0	1		
1	0		
1	1		

[1]

